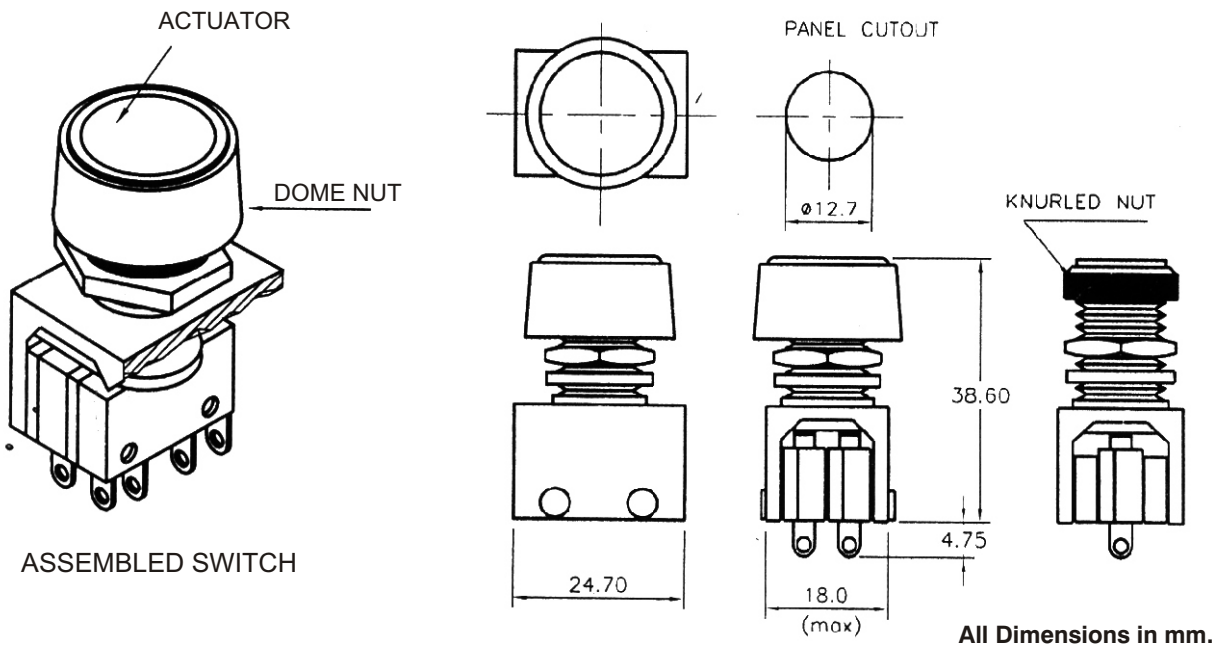


Series - 48

Integral Micro Push Button Switch are build with high reliable Micro Switches with Snap Action momentary with butterfly Mechanism, Double Make Double Break. Switching function helps the switch to use in higher current rating & D.C application in small volume. The switches can be used in Inductive, capacitance loading and against surge current since it is protected by its design. Housing and accessories are made with fine quality of engg. Plastics for their ultimate end use.



All Dimensions in mm.

DOME NUT TYPE SWITCH		KNURLED NUT TYPE SWITCH	
* SINGLE SWITCH	DOUBLE SWITCH	SINGLE SWITCH	DOUBLE SWITCH
Cu-Ag.plt. 4802-271* Ag-Ag.plt. 4822-271*	Cu-Ag.plt. 4804-271* Ag-Ag.plt. 4824-271*	Cu-Ag.plt. 4802-272* Ag-Ag.plt. 4822-272*	Cu-Ag.plt. 4804-272* Ag-Ag.plt. 4824-272*

ELECTRICAL SPECIFICATIONS

CONTACT CONFIGURATION: (Double throw two circuit)

CONTACT RATING : With 200±50gms operating force 5 Amps (Resistive load) at 28 V DC / 230 V AC

CONTACT RESISTANCE : 100 milli ohms max Initial

ELECTRICAL : 20,000 operations at rated load. With lower contact-loads life will be correspondingly higher

MECHANICAL LIFE : 100,000 operations

INSULATION RESISTANCE : 100 Megohms min.

DIELECTRIC STRENGTH : 1000 V RMS

PRETRAVEL : 1.27 mm (max)

OVERTRAVEL : 0.25 mm (min)

MATERIALS & FINISHES

BODY : Glass filled PBT (UL approved)

PLUNGER : Acetal

NOTE : Standard/Low level combination could be used in low level or power circuits. However if low level rating is exceeded, gold plating is likely to be removed and the switch is no longer recommended for low level currents.

ORDERING INFORMATION

The switch can be ordered as given below

